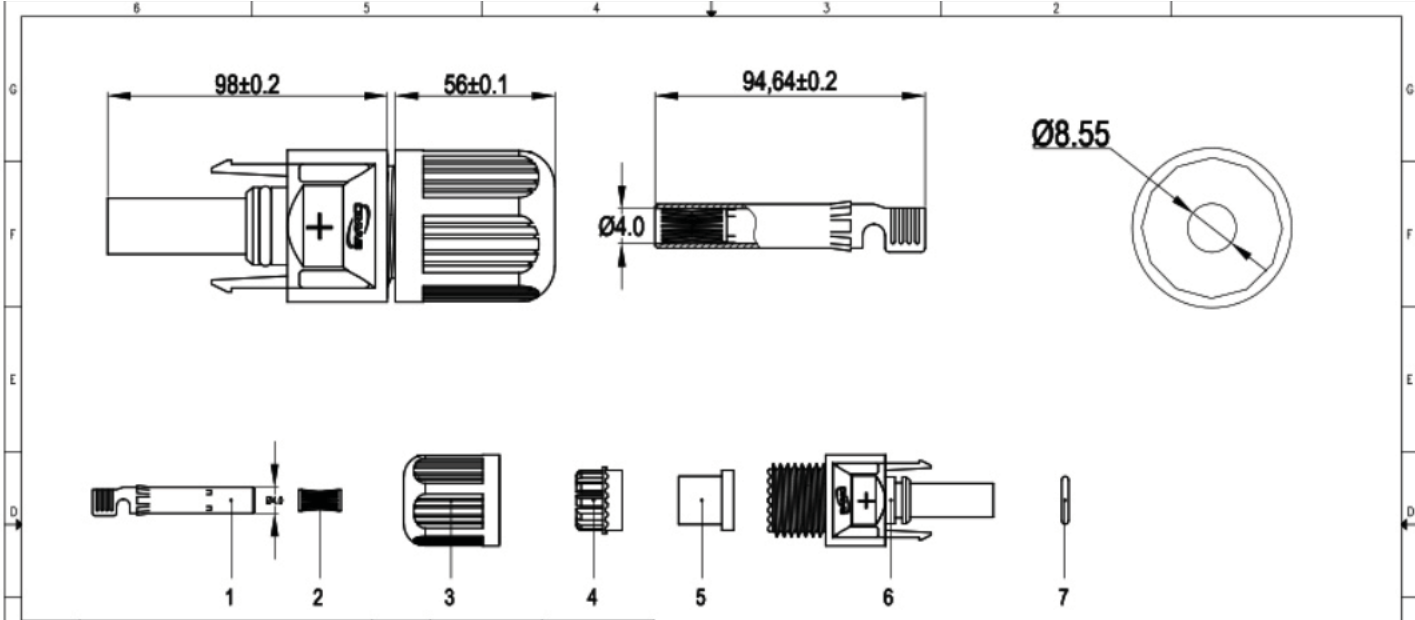


Specification Of Solar Panel Connectors



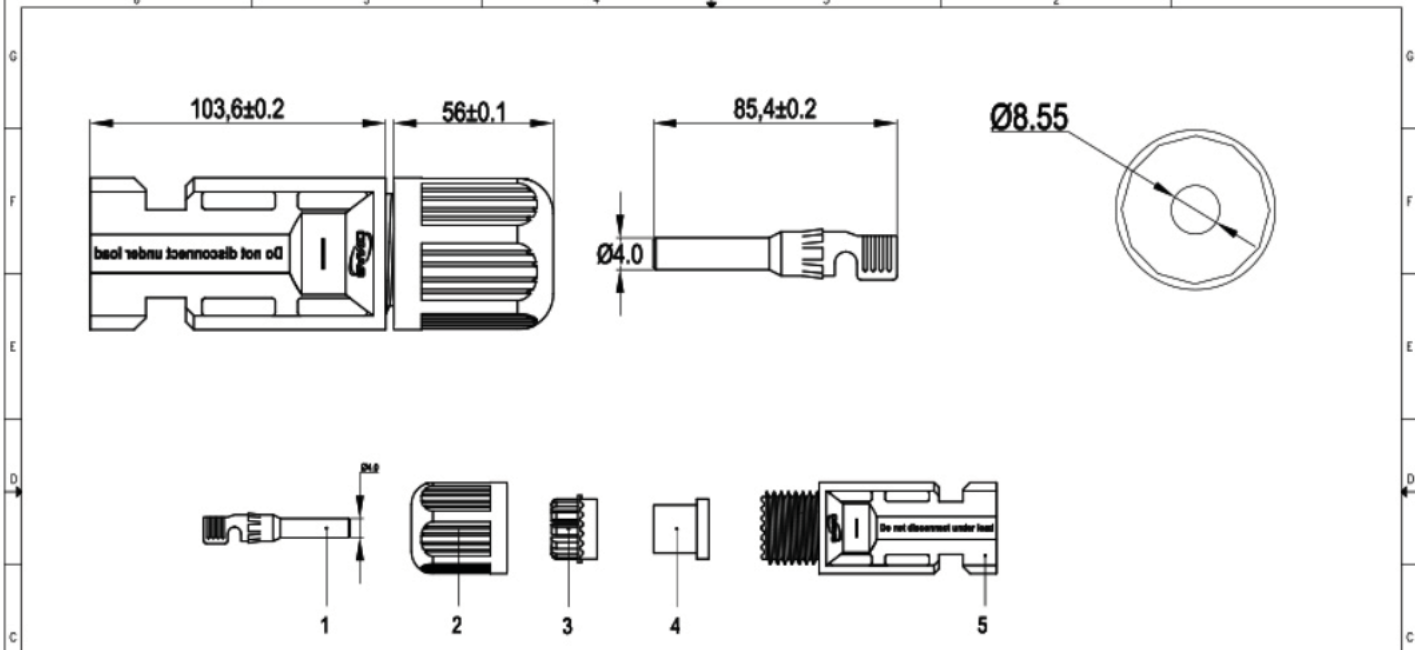
Drawing For Solar Panel Connectors



7	Ø10*1.5°O Ring	1	Red	Silicone
6	Ø4.0 Cable Male Connector Housing	1	Black	PPO
5	Seal rubber	1	Black	Rubber
4	Cable claw	1	Black	Rubber
3	Screw nut	1	Black	PA
2	Ø4 Drum Terminal	1	White	Copper
1	Female pin	1	White	copper
No.	Product Name	QTY	Colour	Material

Note: Unit(mm)

Dimension	Tolerance	LEADER TECHNOLOGY (SHENZHEN) CO.,LTMITED	
30.00-60.00	±0.05	APVD: Mike	NAME: Solar Connector
60.00-90.00	±0.05	CHK: Joe	PRODUCT NUMBER: SY-MC4-2-F
90.00-120.00	±0.05	DWN: Brandon	SCALE: 1 OF 1
120.00~	±0.05		REV: A
Angle			
0-60°	±0.05		
60°~	±0.05		



5	Positive housing	1	Black	PPE
4	Seal rubber	1	Black	Rubber
3	Cable claw	1	Black	Rubber
2	Screw nut	1	Black	PA
1	Female pin	1	White	copper
No.	Product Name	QTY	Colour	Material

Note: Unit(mm)

Dimension	Tolerance	LEADER TECHNOLOGY (SHENZHEN) CO.,LTMITED	
30.00-60.00	±0.05	APVD: Mike	NAME: Solar Connector
60.00-90.00	±0.05	CHK: Joe	PRODUCT NUMBER: SY-MC4-2-M
90.00-120.00	±0.05	DWN: Brandon	SCALE: 1 OF 1
120.00~	±0.05		REV: A
Angle			
0-60°	±0.05		
60°~	±0.05		